

Pole mount adaptor, diam. 65 to 140 mm

P/N: T911919ACC

Copyright

© 2021, FLIR Systems, Inc.

All rights reserved worldwide. Names and marks appearing herein are either registered trademarks or trademarks of FLIR Systems and/or its subsidiaries. All other trademarks, trade names or company names referenced herein are used for identification only and are the property of their respective owners.

Document identity

Publ. No.: T911919ACC

Commit: 77012

Language:

Modified: 2021-05-26

Formatted: 2021-05-26

Website

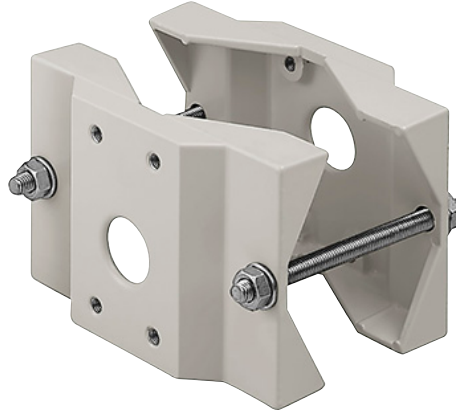
<http://www.flir.com>

Customer support

<http://support.flir.com>

Disclaimer

Specifications subject to change without further notice. Camera models and accessories subject to regional market considerations. License procedures may apply. Products described herein may be subject to US Export Regulations. Please refer to exportquestions@flir.com with any questions.



General description	
Used for mounting of FLIR A500f and FLIR A700f cameras on smaller poles (diameter 65 to 140 mm). Use together with P/N T911916ACC Wall mount bracket (arm). Safety payload weight: 30 kg	
Physical data	
Weight	0.90 kg (2.0 lb)
Size (L x W x H)	48 x 115 x 174 mm (1.9 x 4.5 x 6.8 in)
Material	Aluminum
Shipping information	
Packaging, type	Cardboard box
Packaging, contents	<ul style="list-style-type: none"> Pole mount adaptor Screws
Packaging, weight	1.0 kg (2.2 lb)
Packaging, size	100 x 160 x 230 mm (3.9 x 6.3 x 9.1 in)
EAN-13	7332558026137
UPC-12	845188021979
Country of origin	Italy

Compatible with the following products:

- 85904-0301; FLIR A700f Advanced Smart Sensor 14°
- 85905-0301; FLIR A700f Advanced Smart Sensor 24°
- 85906-0301; FLIR A700f Advanced Smart Sensor 42°
- 90604-0301; FLIR A500f Advanced Smart Sensor 14°
- 90605-0301; FLIR A500f Advanced Smart Sensor 24°
- 90606-0301; FLIR A500f Advanced Smart Sensor 42°